



WINDMASTER

Product Description

A wind driven ventilator made from aluminium that provides roof space ventilation.

Benefits

Removing warm/stale air and moisture from roof space or sheds. Replaceable bearings.

Applications

Roof Space ventilation for houses and sheds with metal or tiled roofs.

SKU Table

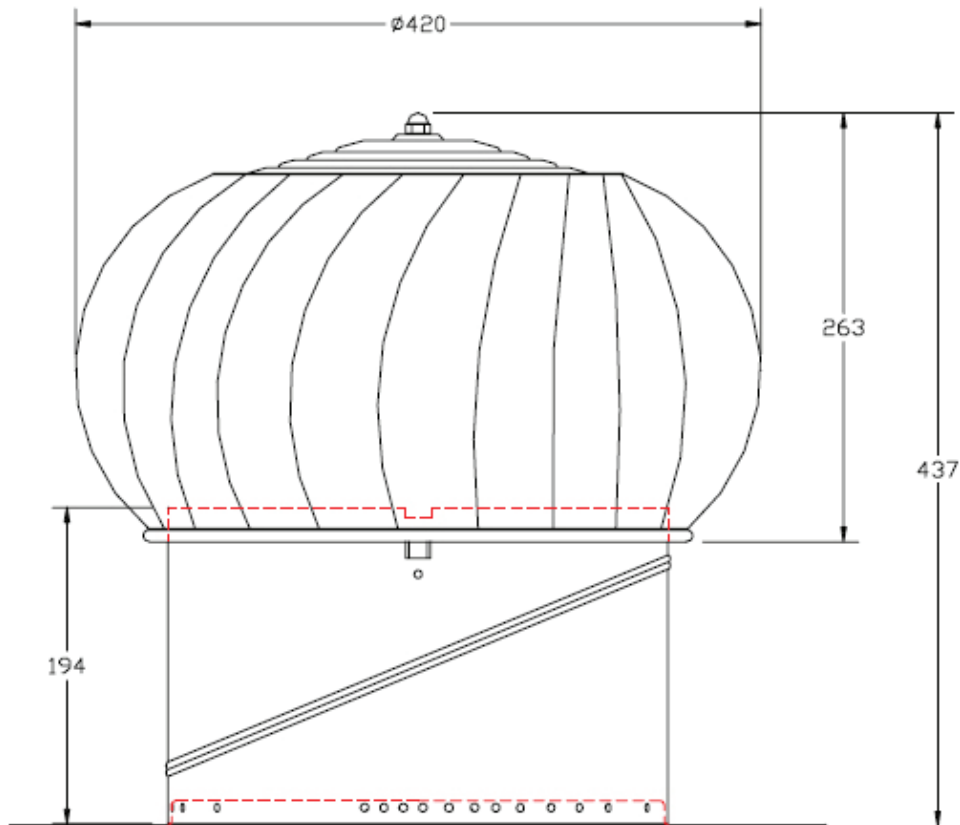
Throat Diameter [mm]	Colour	Product Number
300	Mill	61141
300	Brown	61142
300	Surfmist	61143
300	Night Sky	61144
300	Headland	61145
300	Manor Red	61146
300	Pale Eucalypt	61147
300	Cottage Green	61148
300	Woodland Grey	61149
300	Wilderness	61150
300	Classic Cream	61151
300	Paperbark	61152
300	Dune	61153
300	Windspray	61154
300	Shale Grey	61155
300	Clay Pot	61156
300	Pink Buff	61157
300	Deep Ocean	61159
300	Pale Terracotta	61160
300	Jasper	61161
300	Sandbank	61162
300	Bushland	61163
300	Plantation	61164
300	Blue Ridge	61165
300	Ironstone	61166

Note: Not all products available as stock items. Contact your Bradford Insulation office for stock availability, minimum order quantities and lead times.

WINDMASTER

Physical Properties

Accessories	Stainless Steel Ball Bearings
Turbine	5005 Aluminium
Dome	Aluminium
Bearings	twin 608ZZ ball bearings (high carbon chromium steel)
Shaft	Zinc passivate plated mild steel
Internal Support Ring/Brackets/Housings	Glass filled nylon main bearing housing, Aluminium and Polycarbonate supports
Varipitch	5005 Aluminium
Flashing	500x500x0.7mm soft 5005 aluminium
Weight- Top	1.1kg
Weight- Varipitch	0.4kg
Weight- Flashing	0.4kg
Weight- Total	1.9kg
Wind Speed Rating	158.4 km/h
Warranty	15 yrs



Bradford™
for smarter environments

CSR Bradford Insulation
55 Stennett Rd, Ingleburn NSW 2565 Australia.

Telephone 1300 858 674

www.edmonds.com.au

CSR Bradford Insulation is a business division of CSR Building Products Limited ABN 55 008 631 356

The contents of this brochure are copyright protected and may not be reproduced in any form without prior written consent of CSR Bradford Insulation. Recommendations and advice regarding the use of the products described in this brochure are to be taken as a guide only, and are given without liability on the part of the company or its employees. We reserve the right to change product specifications without prior notification, please refer to the Bradford website for the latest version of this document. The purchaser should independently determine the suitability of the product for the intended use and application.