



TURBOBEAM

Product Description

A wind driven ventilator made from UV resistant clear high impact acrylic that provides roof space ventilation, and also acts as a skylight.

Applications

Roof Space ventilation for houses and sheds with metal or tiled roofs.

Benefits

Removes warm/stale air and moisture from roof space or sheds. Improves efficiency of ducted air

conditioning running through roof spaces. Provides source of natural light to dark roof areas. Smooth and Quiet operation Excellent performance across all wind speeds. Dome is reinforced against hail providing protection against storms.

Withstands severe storms and rain so water does not enter building. Matches all types of roofs pitches (0-45°) and styles. Simple installation on tile roofs, with the removal of just one tile.

SKU Table

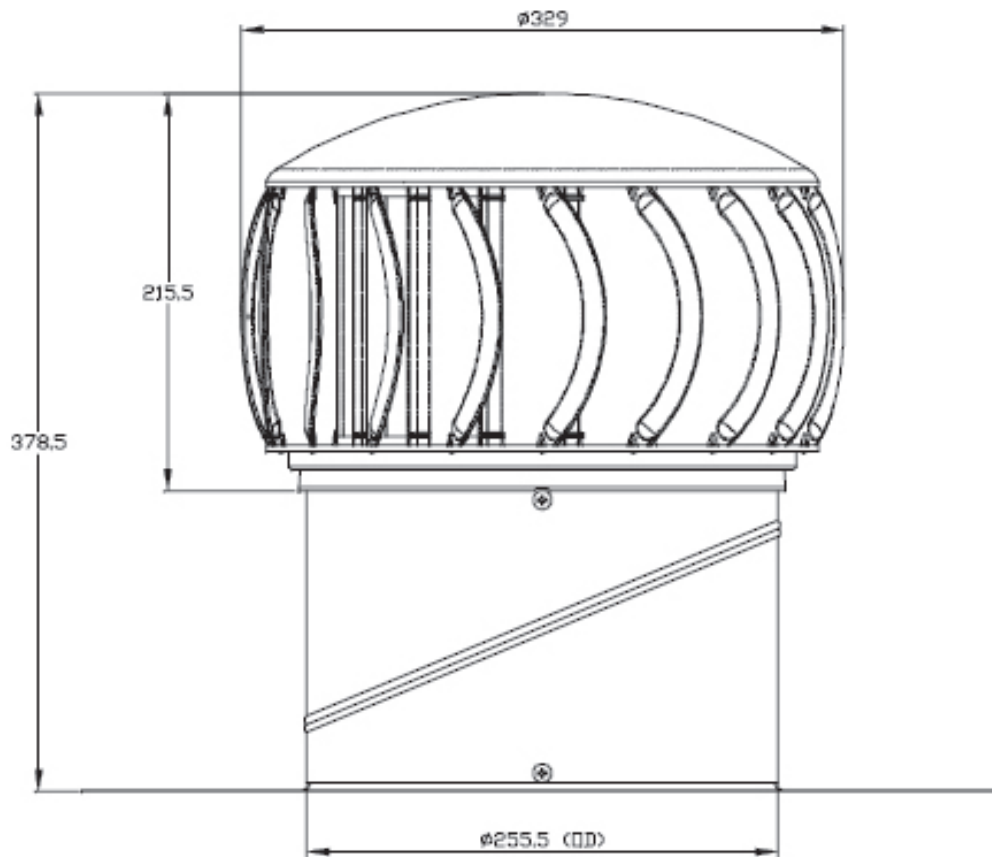
Throat Diameter [mm]	Colour	Product Number
250	1	61183

Note: Not all products available as stock items. Contact your Bradford Insulation office for stock availability, minimum order quantities and lead times. Standard packaging is a polythene bag. Nominal density 32kg/m³.

Physical Properties

Turbine	High impact acrylic (PMMA)
Dome	High impact acrylic (PMMA)
Bearings	twin 608ZZ ball bearings (440 stainless steel)
Shaft	Aluminium
Internal Support Ring/Brackets/Housings	Polycarbonate
Varipitch	0.7mm internally polished and anodised reflective 5005 aluminium
Flashing	500x500x0.7mm soft 5005 aluminium
Weight- Top	1.2kg
Weight- Varipitch	0.3kg
Weight- Flashing	0.4kg
Weight- Total	1.9kg
Wind Speed Rating	205.2 km/h
Warranty	15 yrs

TURBOBEAM



TURBOBEAM – DATA SHEET

Bradford™
for smarter environments

CSR Bradford Insulation
55 Stennett Rd, Ingleburn NSW 2565 Australia.

Telephone 1300 858 674

www.edmonds.com.au

CSR Bradford Insulation is a business division of CSR Building Products Limited ABN 55 008 631 356

The contents of this brochure are copyright protected and may not be reproduced in any form without prior written consent of CSR Bradford Insulation. Recommendations and advice regarding the use of the products described in this brochure are to be taken as a guide only, and are given without liability on the part of the company or its employees. We reserve the right to change product specifications without prior notification, please refer to the Bradford website for the latest version of this document. The purchaser should independently determine the suitability of the product for the intended use and application.